

New Items 2024





© A. Schumann



The steam locomotive, road number 99 5901, built as a high-end model greets you right after the introduction.



Introduction & Contents



Dear LGB Fans,

Welcome to your new items for the upcoming garden railroad season. The LGB team has assembled a broad range of impressive locomotives, passenger cars, and freight cars for you. Among them are also one or another reissue of items that sold out so quickly in past years. A special challenge for our tooling department was certainly the HSB Mallet steam locomotives. As the oldest operational Mallet design locomotives, road numbers 99 5901 and 99 5902 are famous well beyond the Harz region and put the design people to the test at one point or another in realizing this high-end model. With cylinder steam from four cylinders, it will soon take every curve on your garden layout. No less impressive is the newly designed model of the MGB class HGe 4/4 II rack locomotive, which is naturally also planned for real rack railroad operation.

With wood firing to tempt you to Nevada in the period of silver mining. Prototypically assembled from a freight and two passenger cars, starting this year a Mogul design steam locomotive for the Nevada Central RR pulls this nostalgic consist through the wilds of your layout.

We hope you have a lot of fun browsing and that you have a beautiful gardening season with LGB.

Your LGB Team

	Page
Harz Narrow Gauge Railways (HSB)	2 – 8
German State Railroad (DR)	9
SDG/Fichtelberg Railroad	10 – 11
Matterhorn Gotthard Railroad (MGB)	12 – 15
Rhaetian Railroad (RhB)	16 – 21
USA	22 – 27
Christmas 2024	28 – 29
Halloween	30
Museum Car for 2024	30
LGB Club model 2024	31
LGB Club	32
Item Numbers/Symbols	33

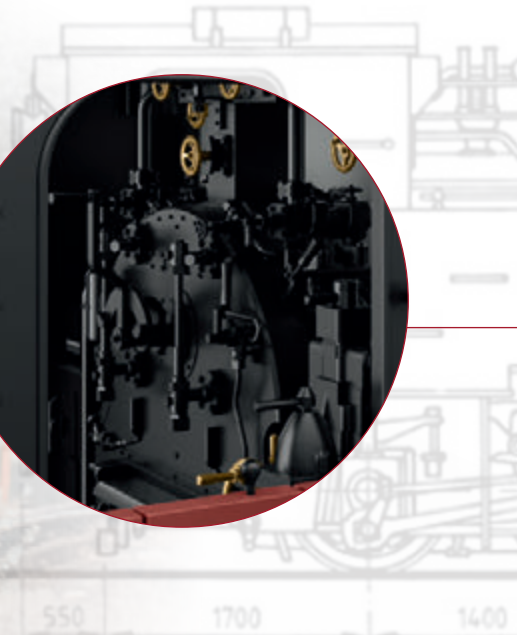
This year LGB is surprising people again with an impressive Club model. Learn more about it on page 31.



MALLET LOCOMOTIVE 99 5901 (HSB)

The Nordhausen-Wernigerode Railroad Company (NWE) placed a series of twelve Mallet locomotives into service between 1897 and 1900, of which nine were built by the firm Jung in Jungenthal and another three were delivered by the Mecklenburg Car Factory Stock Company in Güstrow. These locomotives were very reliable, and with their performance of 255 horsepower and their maximum speed of 30 km/h / 19 mph these 34 metric ton locomotives fulfilled all of the requirements expected of them. However, in World War I six units had to be handed over to the Army Field Railways – they never came back from

this service. Another locomotive had to be retired after a serious accident so that the remaining five locomotives were taken over by the DR in 1949 and rostered as road numbers 99 5901 to 99 5905. After new construction locomotives came to the Harz area in the mid-Fifties, the Mallet locomotives went to the Selketal Railroad. Road numbers 99 5904 and 99 5905 were scrapped and the other 3 locomotives remained on the roster. Road numbers 99 5901 and 99 5902 were used for a longer period on the HSB. Presently, these two units – and road number 99 5903 – are in Wernigerode and are no longer operational.





26591 HSB Steam Locomotive, Road Number 99 5901

This is a model of the steam locomotive, road number 99 5901, for the Harz Narrow Gauge Railways. It is a finely detailed model in heavy metal construction with many separately applied details. The locomotive is driven with two powerful motors and all driving wheelsets are driven using coupling rods. The doors to the cab and smoke box door can be opened. The finely detailed Mallet design running gear has many details such as complete valve gear and a propulsion mechanism for the lubrication pump. The prototypical black/red paint scheme and lettering is for Era VI as the locomotive presently looks on the HSB. The locomotive is equipped with an mfx/DCC decoder with many light and sound functions such as headlights, cab lighting, running gear lights, running sounds, a whistle and a bell activated by reed switches, as well

as much more. The running sounds will also work in analog operation. There is a built-in smoke unit with smoke exhaust synchronized with the wheels as well as cylinder steam and steam exhaust at the whistle when the latter is activated. There are digitally controlled LGB couplers at both ends, and these couplers can be removed. There are sprung buffers. Length over the buffers 40 cm / 15-3/4".

- High-end model in heavy metal construction
- Many separately applied fine details
- Extensive light and sound functions
- Running sounds will also work in analog operation
- Smoke unit with smoke exhaust synchronized with the wheels
- Running gear lights



Finely detailed metal model constructed of brass and die-cast metal
All models include cylinder steam at all four cylinders

As in the prototype, road number 99 5901 with running gear lights

The locomotive cab is very highly detailed with all its lines, manual control wheels, and control displays



MALLET LOCOMOTIVE 99 5902 from Era VI (HSB)



26592 HSB Steam Locomotive, Road Number 99 5902

This is a model of the steam locomotive, road number 99 5902, for the Harz Narrow Gauge Railways. It is a finely detailed model in heavy metal construction with many separately applied details. The locomotive is driven with two powerful motors and all driving wheelsets are driven using coupling rods. The doors to the cab and smoke box door can be opened. The finely detailed Mallet design running gear has many details such as complete valve gear and a propulsion mechanism for the lubrication pump. The prototypical green/black/red paint scheme and lettering is for Era VI as the locomotive presently looks on the HSB. The locomotive is equipped with an mfx/DCC decoder with many light and sound functions such as headlights, cab lighting, running sounds, a whistle and a bell activated by reed switches, as well as much more. The running sounds will also work in analog operation. There is a built-in smoke unit with smoke exhaust synchronized with the wheels as well as cylinder steam and steam exhaust at the whistle when the latter is activated. There are digitally controlled LGB couplers at both ends, and these couplers can be removed. There are sprung buffers. Length over the buffers 40 cm / 15-3/4".

- **High-end model in heavy metal construction**
- **Many separately applied fine details**
- **Extensive light and sound functions**
- **Running sounds will also work in analog operation**
- **Smoke unit with smoke exhaust synchronized with the wheels**

Prototypical down to the details:
The levers for the water cocks are set off in color here.



All models:
steam whistle, when sound is activated

All models:
windows on the rear and right front can be opened, on the left front fixed and with a grill

Cylinder steam at all four cylinders





The last remaining articulated units of the Mallet design are among the special attractions of the Harz Narrow Gauge Railways.

Fine metal construction and including running sounds in analog operation too

Road number 99 5902 includes brass lines along the boiler



© Wikimedia, Wassen

MALLET LOCOMOTIVE 99 5902 from Era IV (DR)



26593 DR Steam Locomotive, Road Number 99 5902

This is a model of the steam locomotive, road number 99 5902, for the German State Railroad. It is a finely detailed model in heavy metal construction with many separately applied details. The locomotive is driven with two powerful motors and all driving wheelsets are driven using coupling rods. The doors to the cab and smoke box door can be opened. The finely detailed Mallet design running gear has many details such as complete valve gear and a propulsion mechanism for the lubrication pump. The

prototypical black/red paint scheme and lettering is for Era IV as the locomotive looked at that time in use on the DR. All of the differences compared to the present day version are modelled. The model like the original has no air pump, since the locomotive was equipped with a vacuum pump. The different pathways for the lines on the boiler are also modelled according to the prototype. The locomotive is equipped with an mfx/DCC decoder with many light and sound functions such as headlights, cab lighting, running sounds, a whistle and a bell activated by reed switches, as

well as much more. The running sounds will also work in analog operation. There is a built-in smoke unit with smoke exhaust synchronized with the wheels as well as cylinder steam and steam exhaust at the whistle when the latter is activated. There are digitally controlled LGB couplers at both ends, and these couplers can be removed. There are sprung buffers.

Length over the buffers 40 cm / 15-3/4".

- **High-end model in heavy metal construction**
- **Many separately applied fine details**
- **Extensive light and sound functions**
- **Running sounds will also work in analog operation**
- **Smoke unit with smoke exhaust synchronized with the wheels**





Completely new tooling with many details
Over 30 light and sound functions included in digital operation
Running sounds will also work in analog operation



The reduction per cardan articulation is authentically modelled

Cab lighting can be controlled on all models

The **Mallet design** is a special class of steam locomotives with two-part running gear for mountain routes with many curves. It was developed in 1884 by the Swiss engineer Anatole Mallet.

Modelled on the models: Opening on the rear side between the windows can be opened, with the two wings folded inward

All the models have smoke box doors that can be opened and interior details behind them

All models have pivoting lubrication pump mechanism



Harz Narrow Gauge Railways (HSB)

On the DR 3 small Köf II design locomotives were converted for service on the Harzquer and Brockenbahn. In addition to being regauged for meter gauge, they were given suitable buffers and couplers. These locomotives were rostered under road numbers 199 010, 199 011, and 199 012. Since 1993 these units have been on the roster of the Harz Narrow Gauge Railways (HSB) and have been used mostly in switching work with road number 199 010 in storage for a long time.



21936 HSB Köf II Diesel Locomotive

This is a diesel locomotive, road number Köf 199 010, of the HSB in the Era V version. It is a finely detailed model with many separately applied parts. It is driven by a powerful motor on both wheelsets and has a high level of pulling power from traction tires. It is equipped with an mfx/DCC decoder with many sound and light functions. The paint scheme and lettering are prototypical. Length over the buffers 26 cm / 10-1/4".

- Both wheelsets powered
- Powerful motor
- Traction tires
- mfx/DCC sound decoder

mfx/DCC decoder and many sound and light functions included



German State Railroad (DR)



Reissue of the popular Wismar Rail Bus



24662 Rail Bus

This is a model of the German State Railroad (DR) Wismar rail bus, road number VT 133 525, as was used on the narrow gauge network in the Prignitz area. The paint and lettering are prototypical for Era III. A powerful Bühler motor with ball bearings drives both wheel sets. The rail

bus has an mfx/DCC decoder with many digitally controlled light and sound functions, such as headlights that change over with the direction of travel, interior lighting, and much more. Length over the buffers 45 cm / 17-3/4".



Prototypical modelling
of the unmistakable front

SDG/Fichtelberg Railroad

VI

36362 SDG Passenger Car

This is a model of an SDG type KB passenger car, as is still currently used on the Fichtelberg Railroad. The paint scheme and lettering are prototypical for Era VI. The car has complete, prototypical interior details. It also has metal wheelsets.

Length over the buffers 58 cm / 22-13/16".

Reissue



Reissue



VI

36370 SDG Passenger Car

This is a model of an SDG type KB passenger car, as is still currently used on the Fichtelberg Railroad. The paint scheme and lettering are prototypical for Era VI. The car has complete, prototypical interior details. It also has metal wheelsets.

Length over the buffers 58 cm / 22-13/16".





VI

36363 SDG Bistro Car

A quite special car is used now and then in scheduled steam trains on the narrow gauge Fichtelberg Railroad between Cranzahl and Oberwiesenthal. This bistro car, car number 970-436, was converted from a standard passenger car, has over 30 seats at tables, and a small bar counter. During the run through the Saxon mountains, you can enjoy a small snack and a cool drink.

This is a model of an SDG type KB bistro car, as it still looks in operation on the Fichtelberg Railroad. The paint scheme and lettering are prototypical for Era VI. The car has complete, prototypical interior details. It also has metal wheelsets.

Length over the buffers 58 cm / 22-13/16".

- Prototypical paint scheme
- Prototypical interior details
- Metal wheelsets

Ideal add-on for the 21481 locomotive as well as the passenger cars, item numbers 36370 and 36362, and the 32357 open observation car.

The SDG Bistro car with a prototypical interior



Matterhorn Gotthard Railroad (MGB)

The class HGe 4/4 II is a narrow gauge electric locomotive for cogwheel and adhesion operation. A first series of 5 locomotives was purchased starting in 1985 by the Furka Oberalp Railroad and the SBB for the narrow gauge Brünig Railroad. This locomotive set new standards with a performance of 1,932 kilowatts – about 2,600 horsepower and a maximum speed of 100 km/h / 63 mph or 40 km/h / 25 mph on rack lines. Since the locomotives turned in very good results, more were purchased starting in 1990, so that eventually the SBB and the FO each rostered 8 and the Brig Visp Zermatt Railroad 5 units. These locomotives are still presently in use, on the Matterhorn Gotthard Railroad those of the former FO and BVZ, on the Zentral Railroad those of the former SBB Brünig Railroad. The running of the MGB Glacier Express trains between Zermatt and Disentis is proudly done with these locomotives as well as the automobile shuttle trains at the Furka Tunnel between Oberwald and Realp. In the last few years the MGB has begun to overhaul the locomotives thoroughly. In addition to new electronics, you can recognize externally chiefly the headlights with LED technology as well as the new paint scheme. These locomotives will still be in service for many years in the Swiss mountains.





Matterhorn Gotthard Railroad (MGB)



23101 "Glacier Express" Class HGe 4/4 II Electric Locomotive

This is a model of the Matterhorn Gotthard Railroad class HGe 4/4 II electric locomotive as it currently looks in service. The paint scheme and lettering are prototypical for Era VI. The special paint scheme goes with the Glacier Express. All 4 wheelsets and two traction gear wheels are driven by two powerful, ball bearing motors. The locomotive is equipped with an mfx/DCC decoder with many light and sound functions. The pantographs are powered by servomotors and can be controlled digitally. Length over the buffers 67 cm / 26-3/8".

- Completely new tooling
- 2 ball bearing motors
- Genuine rack railroad operation
- mfx/DCC sound decoder included
- Digitally controlled pantograph operation
- The running sounds will also work in analog operation

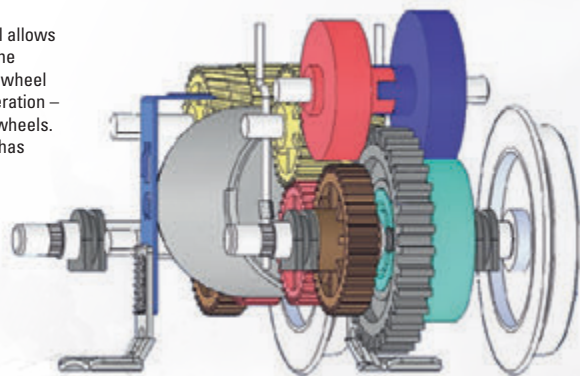


Experience our HGe 4/4 II in action:
www.lgb.de/mgb





The new rack railroad operation on this model allows totally smooth entrance of the locomotive to the rack area. The alignment of adhesion and cogwheel running gear results in no slippage during operation – and thereby no loss in power – at the driving wheels. On mountain routes the locomotive therefore has outstanding pulling power.



A newly designed changeover from normal operation to rack operation is included



Genuine rack railroad operation is possible with the LGB rack, item number 10210, and the rack mounts, item number 10220, to go with it.

Rhaetian Railroad (RhB)



33666 RhB Panorama Car, 1st Class

This is a model of a Rhaetian Railroad panorama car, 1st class, as it was used in the Glacier Express. The paint and lettering are prototypical for Era VI. The car has complete interior details and built-in interior lighting with ball bearing wheelsets. The doors can be opened. Length over the buffers 68 cm / 26-3/4".



*All cars equipped with LED interior lighting
Reissues due to high demand*



33670 RhB Excellence Class Panorama Car

This is a model of a Rhaetian Railroad "Excellence Class" panorama car as it is used in the Glacier Express. The paint and lettering are prototypical for Era VI. The car has a complete interior matching the prototype. It also has built-in interior lighting and ball bearing wheelsets. The doors can be opened. Length over the buffers 68 cm / 26-3/4".



When using these cars together with the 23101 cogwheel locomotive on a rack railroad route, the coupler hooks must be replaced by the 64462 spare parts hooks.

VI

33671 RhB Panorama Car, 2nd Class

This is a model of a Rhaetian Railroad panorama car, 2nd class, as it is used in the Glacier Express. The paint and lettering are prototypical for Era VI. The car has a complete interior matching the prototype. It also has built-in interior lighting and ball bearing wheelsets. The doors can be opened.

Length over the buffers 68 cm / 26-3/4"



VI

33673 RhB Panorama Dining Car

This is a model of the service car as currently used in the modern Glacier Express. The paint scheme and lettering are the newest version and are prototypical for Era VI. The interior details are prototypical, there is interior lighting with LEDs.

Length over the buffers 68 cm / 26-3/4"



33670

33666

33673

33671

23101

17

Rhaetian Railroad (RhB)

Completely new tooling



24601 RhB Class Ge 4/6 Electric Locomotive

As early as 1900 the RhB began to think about electrifying its routes. The planned route from Bever to Scuol in the Engadin area was intended as an experimental route in the foreground of the electrical operation still in its childhood. Several class Ge 4/6 locomotives were thus ordered, and they were delivered between 1912 and 1914. Locomotive road numbers 351 to 355 delivered chiefly by SLM and MFO turned out very well and were up to all their requirements with their performance of 560 kilowatts / 750 horsepower and a maximum speed of 55 km/h / 34 mph. These loco-

motives were originally painted green and between 1920 and 1923 they were repainted in the brown color customary down to the present for older design locomotives. Actually, the locomotives were supposed to be retired after the delivery of the class Ge 4/4 I. This was not possible due to the increase in traffic in the Fifties and Sixties. The locomotives were thus partially updated and remained in use until well into the Seventies. Road number 353 was retired as the last unit – but it is still currently usable as an operational historic locomotive.

This is a model of the RhB class Ge 4/6 electric locomotive, road number 353, as the version in which it currently exists as an historic locomotive. There are two double-arm pantographs with servo drives that can be raised and lowered in digital operation. The paint scheme and lettering are prototypical for Era VI. All 4 driving wheelsets are driven by two powerful motors and there are traction tires. The locomotive is equipped with an mfx/DCC decoder with many sound and light functions such as headlights that change over with the direction of travel, cab lighting, and much more.

Length over the buffers 50 cm / 19-11/16“.



Many prototypical details

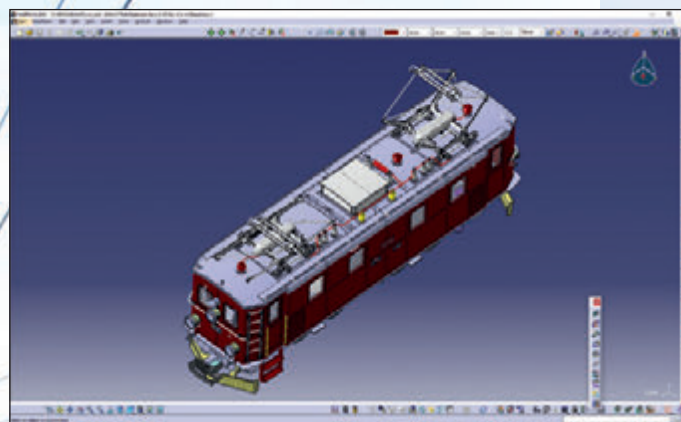
Pantographs that can be raised and lowered in digital operation

mfx/DCC digital decoder

Era VI paint scheme and lettering

Two powerful motors





Motor, drive system, roof equipment, etc. – the Ge 4/6 tooling already completely achieves the look of an historic museum locomotive and shows moreover the considerable size of the LGB model at 50 cm / 19-11/16 inches.



03111 RhB World Record Book

This is a book about the world record of the RhB's "longest passenger train in the world". It contains the story of the world record on October 29, 2022, and the background to it. The protagonists are also presented in word and image. Images of the construction of the Rhb Albula Line are also included. 240 pages, format 21 x 29.7 cm / 8-1/4" x 11-11/16".

- The entire world record line at a glance
- The protagonists in word and image
- Live material of the world record
- Information with figures, data, and facts



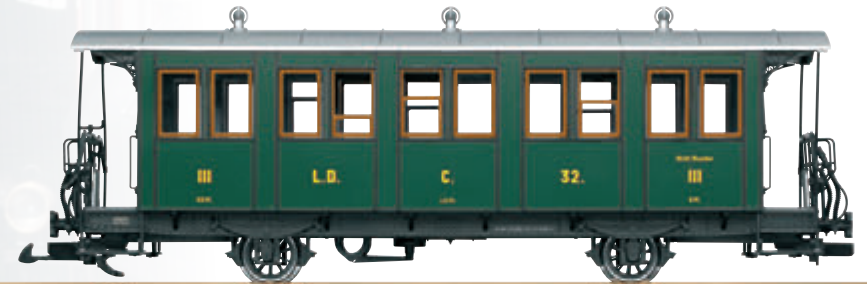
Rhaetian Railroad (RhB)

I VI

30341 RhB Passenger Car

This is a model of an RhB passenger car, 3rd class. It is in the version of the green paint scheme of the Landquart-Davos Railroad at that time, just as the car is currently in use on the RhB as a museum car. The paint and lettering

are prototypical. Interior details of the car are modelled completely. Train destination signs are included. The car has metal spoked wheelsets. Length over the buffers 45 cm / 17-3/4".



Reissues

353

I VI

30342 RhB Passenger Car

This is a model of an RhB passenger car, 3rd class. It is the version in the green paint scheme, just like the cars currently in use on the RhB as museum cars. The paint scheme

and lettering are prototypical. The car has a complete reproduction of the interior details. Train route signs are included. The car has metal spoked wheelsets. Length over the buffers 45 cm / 17-3/4".

VI

43814 RhB Boxcar

This is a model of a Rhaetian Railroad type K 1 two-axle boxcar. The paint scheme and lettering are prototypical as an historic museum car as it still currently exists. The car

has many separately applied details and sliding doors on the sides that can be opened. Length over the buffers 39 cm / 15-3/8".



VI

30693 Baggage Car

Around 2010 several baggage cars were equipped with a pantograph, a transformer, and the necessary relays to safeguard power supplies for longer express trains on the Albula Line. In the meantime, not all of these cars were needed any more since the new Albula articulated trains can no longer be run together with the Bernina Express due to the Albula trains' greater weight. The pantographs were thus removed on four of the seven cars. The lowered roof area and several insulators still remain so that the cars can be recognized at a glance.

This is a model of an RhB baggage car, which was equipped with a pantograph several years ago, the pantograph now having been removed. Auxiliary boxes are on the roof, which were mounted on the roof of the original just a short while ago. The paint scheme and lettering are prototypical for Era VI. The doors can be opened. The car has metal wheelsets.

Length over the buffers 62 cm / 24-3/8".

- Prototypical paint scheme
- Without a pantograph
- Roof area like the prototype
- Metal wheelsets



Current appearance with a pantograph removed







Nevada Central Railroad



20284 NC RR Mogul Steam Locomotive

The Nevada Central Railroad was a narrow gauge railroad between Battle Mountain and Austin, Nevada. This railroad was built to connect Austin, the center of a rich silver mining area, with the transcontinental rail line. The at least 148 km / 93 mile long route was put into operation in 1880 and was used for passenger as well as freight transport. The Nevada Central was profitable as long as the mines in Austin were working to capacity, but in the mid-Thirties most of them were already closed, so that the route was already abandoned in 1938. Various steam locomotives were used on this line, among others the "Mogul" such as road number "6" or "2" still in existence on the Grizzly Flats Railroad. Wood firing and the necessary large spark arrestors was typical for the locomotives used there. Typical cars with trucks and a clerestory roof were used. There were various designs such as pure coaches with seating or half baggage cars. Freight cars in use included gondolas and boxcars of wood construction typical at that time.

This is a model of a Mogul type steam locomotive for the Nevada Central Railroad. The paint scheme and lettering are prototypical for Era II. All of the driving wheels are driven by a powerful, ball bearing Bühler motor, and there are traction tires. The locomotive is equipped with an mfx/DCC decoder with many light and sound functions. Smoke exhaust synchronized to the wheels and cylinder steam are included. There are many separately applied details.

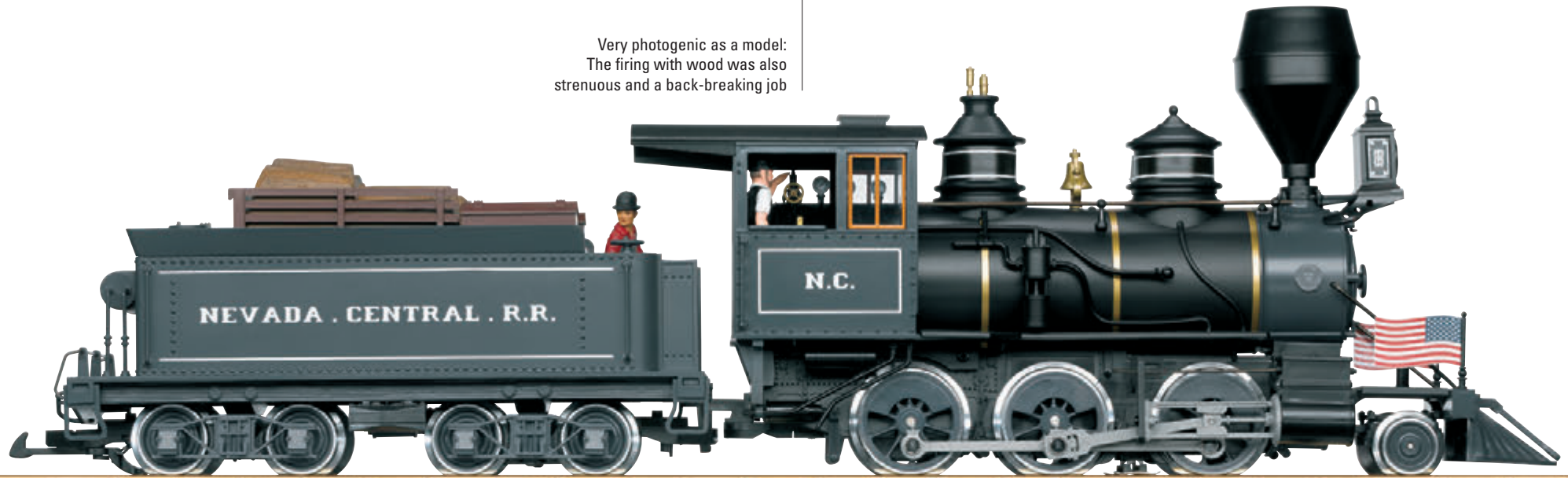
Length over the couplers 67 cm / 26-3/8".



Passenger cars to go with this locomotive are available under item numbers 36830 and 36831, and there is a freight car to go with this locomotive available under item number 48676.

Smoke unit with smoke exhaust synchronized to the wheels and cylinder steam included

Very photogenic as a model:
The firing with wood was also strenuous and a back-breaking job





48676

36831

36830

20284

25

Nevada Central Railroad

II

36830 NCRR Passenger Car

This is a model of a typical American old-timer passenger car painted and lettered for the Nevada Central Railroad as it looked in use in the Thirties. The paint scheme and lettering are prototypical for Era II. The doors can be opened and there are complete interior details. The car has metal wheelsets. Length 49 cm / 19-1/4".

- Metal wheelsets.
- Doors that can be opened
- Prototypical paint scheme and lettering
- Interior details included

Complete interior details and roofs include light weathering



II

36831 NCRR Half Baggage Car

This is a model of a typical American old-timer half baggage / combine passenger car painted and lettered for the Nevada Central Railroad as it looked in use in the Thirties. The paint scheme and lettering are prototypical for Era II. The doors can be opened and there are complete interior details. The car has metal wheelsets. Length 49 cm / 19-1/4".

- Metal wheelsets
- Doors that can be opened
- Prototypical paint scheme and lettering
- Interior details included



II

48676 NCRR Freight Car

This is a model of a typical American old-timer freight car (boxcar) in the version for the Nevada Central Railroad, as it was in use then up into the Thirties. The paint scheme and lettering are prototypical for Era II. The sliding doors on the sides can be opened. The car has metal wheelsets. Length over the couplers 42 cm / 16-1/2".

- Metal wheelsets
- Sliding doors that can be opened
- Prototypical paint scheme and lettering

Prototypical with ladders and running board



Christmas 2024



I - VI  

20215 "Stainz" Christmas Locomotive

This is a model of the "Stainz" steam locomotive in a Christmas paint scheme. The model has a lighted Christmas tree on the front buffer beam that can be turned on and off with the mode of operation switch. The locomotive has a powerful ball bearing mounted Bühler motor. Length over the buffers 25 cm / 9-7/8".

Reissue

The ideal motive power for the Christmas cars that come out every year.

Illuminated Christmas tree included on the buffer beam





36024 Christmas Car for 2024

The Christmas Car for 2024 is extensively imprinted with a marvelous theme. This model naturally also has doors that can be opened, and it is a seamless addition to the previous series of LGB Christmas Cars. This car has solid metal wheelsets.

Length over the buffers 30 cm / 11-13/16".

- Christmas Car
- Fine detailing
- Interior details
- Metal wheelsets

Something special for under the Christmas tree can also be found in the Märklin new items for 2024.



36018 (2018)

36019 (2019)

36020 (2020)

36021 (2021)

36022 (2022)

36023 (2023)

36024 (2024)

20215

29

Halloween

39024 Halloween Car

This is a model of a two-axle passenger car painted and lettered for Halloween. The doors can be opened, and there are metal, solid wheelsets. Length over the buffers 30 cm / 11-13/16".

- Goes with the theme of Halloween
- Painted and lettered for this theme
- Fine detailing
- Metal wheelsets



Museum Car for 2024

VI

41024 LGB "Öchsle Museum Railroad" Museum Car for 2024

This boxcar was originally purchased in the early Forties for the Austrian narrow gauge railways and was used there for a long time. Several of the cars came to other railroads and also to various museum railways, which use these types of cars chiefly for transporting bicycles. The prototype of our LGB museum car is at the Öchsle Museum Railroad – which runs between Warthausen and Ochsenhausen in Upper Swabia – in the same design as the model in use and refers to the 125th anniversary of this railroad.

This is a model of a 4-axle boxcar painted and lettered for this year's partner, the Öchsle Museum Railroad in Upper

Swabia. The paint scheme and lettering are for Era VI. There is a brakeman's platform with a brakeman's cab at one end of the car, and the sliding doors on the sides can be opened. The trucks are correct for this type of car. The car has metal wheelsets.

Length over the buffers 43 cm / 16-15/16".

- Goes with the anniversary of the Öchsle Museum Railroad
- Fine detailing
- Metal wheelsets
- The original also runs in this version

One-time series. Available only at the Märklineum Store in Göppingen, Germany.

Other models are planned for the anniversary



LGB Club model 2024



36355 DR Passenger Car

This car has a rather special history: It was used in the mid-Seventies as a crew car the earth removal train in the Thum Narrow Gauge Network and in 1976 it came to the Cranzahl – Oberwiesenthal Line. In regard to the 95th anniversary of this line in 1977, this car was newly painted. It was given a paint scheme in the style of the salon car for the Weisseritztal Railroad and the "Mitropa" lettering, but it was never operated as such. Deadlines for maintenance soon ran out, it was left standing and rotted. In 1990/91, it was converted to a new construction baggage car for the Weisseritztal Railroad.

This is a model of a 2nd class passenger car for DR narrow gauge railways. The paint scheme and lettering are prototypical for Era IV. The doors on the platforms can be opened, and there are complete interior details. The car has metal wheelsets.

Length over the buffers 58 cm / 22-13/16".

- Metal wheelsets
- Doors that can be opened
- Special paint scheme
- Interior details

Exclusively for Club members.



Additional details and insights into our current Club model can be found in the special brochure.

*Become a Club member and reserve
this impressive special car for your garden railroad
Order deadline: February 29, 2024*

**Bestellschluss:
29.02.2024**



Your Club Moment.

Be curious about the new LGB Club model.

Club members can hardly wait to hold this exclusive Club model in their hands. The passenger car with "Mitropa" will impress you. There are also still more moments full of emotion for Club members: You will be fascinated by the LGB Depesche, the annual film, and the Internet Club area. Enjoy the Club community and the many benefits with the Club card. Become a Club member today at club.lgb.de

Your Club Advantages

X The LGB Depesche 4 Times a Year

In 64 pages you will learn everything from and about the world of LGB: Quite practical suggestions all about layout construction, background stories about current LGB models and their prototypes, exclusive columns from garden railroad experts and many technical tips that make the hobby of garden railroading even more fascinating. The LGB Depesche – the indispensable source of information for all G Gauge fans.

X Exclusive Club Model

Your membership in the LGB Club authorizes you to acquire an exclusive Club model developed and produced only for you as a Club member. A personalized and valuable certificate will be sent directly at home to you after this model has been delivered. Collect the models that change each year.

X Exclusive Club Present

As a Club member you will receive an exclusive Club present sent to you once a year.

X Annual Chronicle

Experience the high points of the LGB model railroad year in moving images as an exclusive Club film.

X Catalog

Club members receive the main catalog available every year at their specialty dealer.

X Early information

about the LGB new items – in advance by a download link and as a printed version in a Club mailing

X Club Card

Your personal Club card newly designed every year opens up the world of model railroading to you in a special way. For as a member you are not only our premium customer, but you also receive an **abundance of advantages** from our currently over **100 cooperative partners**.

In addition, your personal membership card enables you to order exclusive products offered for everyone in the Club.

X Free shipping in the Online Shop

Our Online Shop gives members free shipping within Germany.

X Club Trips*

You will experience your hobby in a special way on the Club trips offered through fantastic landscapes and to extraordinary destinations. Club members receive a discount.

* Depending on availability

X A Small Welcome Gift

for each new member – get ready to be surprised.

X Birthday Coupons

Club members receive a coupon by email for our Online Shop on their birthday and a one-time free entrance to the Märklinium.

Becoming a LGB Club member is quite easy:

Online under Club at www.lgb.de

LGB Club
Postfach 9 60
73009 Göppingen
Germany

Telephone: +49 (0) 71 61/608 - 213
Telefax: +49 (0) 71 61/608 - 308
E-mail: club@maerklin.com
Internet: www.lgb.de

The Club Team is available for you personally as follows:
Monday-Friday from 1 PM to 5 PM

Services such as the Club model and catalog are available exclusively at your specialty dealer. These offers are not binding; the right to make alterations is reserved. Subject to availability.

powered by:



Status: 1/2024

Item Numbers/Symbols



Item no.	Page	Item no.	Page
03111	19	33670	16
20215	28	33671	17
20284	24	33673	17
21936	8	36024	29
23101	14	36355	31
24601	18	36362	10
24662	9	36363	11
26591	3	36370	10
26592	4	36830	26
26593	6	36831	27
30341	20	39024	30
30342	20	41024	30
30693	21	43814	20
33666	16	48676	27

mfx Digital decoder with up to 32 digitally controlled functions. The quantity depends on the controller being used.

DCC DCC decoder

Sound

Lighting included

Smoke generator

Smoke generator. Controlable feature.

Pulsed smoke generator

Traction tires

CLUB LGB Club model

I – VI	Era I	1835 – 1920
	Era II	1920 – 1945
	Era III	1945 – 1968
	Era IV	1968 – 1990
	Era V	1990 – 2006
	Era VI	2006 – to the present

Important Note!

The products shown in this brochure/catalog are high quality collector and model railroad items with a recommended age of 15 years and older. We recommend the Märklin Start up assortment for children aged 6 years and above. This is not suitable for children under the age of three years.

© Foto: Günther Rejke



märklineum

**Pure adventure
for the entire family.**

HOURS OF OPERATION
Tuesday–Sunday, 10 AM – 6 PM
Current special hours of operation
at www.maerklineum.com

Reuschstraße 6
73033 Göppingen





Come, see, be amazed:

Märklin opens its doors. Experience the production with all of its facets and many other attractions.

There is something offered for the entire family – **We look forward to your visit!**

Mark your calendar now!

Current program information: www.maerklin.de



märklin

Open House Day

Admission into the factory from 9:00 AM - 4:00 PM

Current program information: www.maerklin.de

September 13 and 14, 2024 in Göppingen



Detailed information about the hours of operation and entrance guidelines for the Märklineum on this weekend can be found in the current program information.



Gebr. Märklin & Cie. GmbH
Stuttgarter Straße 55-57
73033 Göppingen
Germany

www.lgb.de

Service:

Telephone: 650-569-1318

E-mail: digital@maerklin.com

We reserve the right to make changes and delivery is not guaranteed. Pricing, data, and measurements may vary. We are not liable for mistakes and printing errors.

Some of the images are hand samples, retouched images, and renderings.

The regular production models may vary in details from the models shown.

Märklin reserves the right to cancel announced new items in the event of insufficient demand.

If these edition of the presentation book does not have prices, please ask your authorized dealers for the current price list.

All rights reserved. Copying in whole or part prohibited.

© Copyright by Gebr. Märklin & Cie. GmbH.
Printed in Germany.

395 972 – 01 2024

LGB is a registered trademark of Gebr. Märklin & Cie. GmbH, Germany. Union Pacific, Rio Grande and Southern Pacific are registered trademarks of the Union Pacific Railroad Company. Other trademarks are the property of their owners.

© 2024 Gebr. Märklin & Cie. GmbH



Visit us:
www.facebook.com/lgb



Märklin fulfills the requirements for a quality management system according to the ISO 9001 Standard. This is regularly checked and certified by the TÜV Süd testing organization. You thereby have the assurance of buying a quality product of a certified firm.